

## Typical Device Performance (25°C)

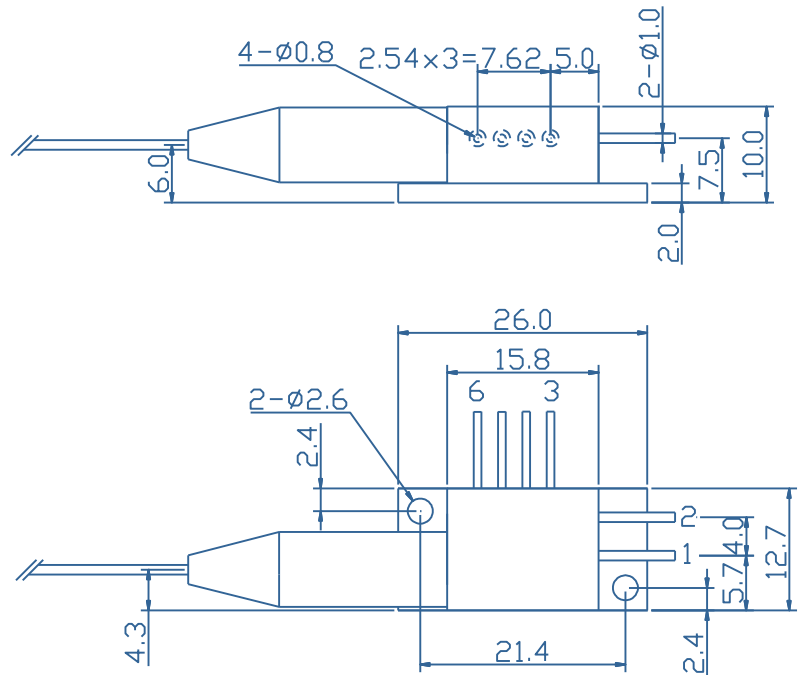
	Unit	Typical Value
<b>Optical</b>		
CW Output Power	W	7
Center Wavelength	nm	981±0.5
Spectral Width (90% of Power)	nm	<0.5
Wavelength Shift with Temperature	nm / °C	0.02
Wavelength Shift with Current	nm / A	0.05
Feedback Protection (1030-1100nm)	dB	>40
<b>Electrical</b>		
Threshold Current	A	1.0
Operating Current	A	9.0
Operating Voltage	V	1.7
Slope Efficiency	W / A	0.8
Power Conversion Efficiency	%	50
<b>Fiber</b>		
Fiber Core Diameter	μm	105
Fiber Cladding Diameter	μm	125
Fiber Buffer Diameter	μm	250
Numerical Aperture	-	0.22
Fiber Length	m	1.0

## Absolute Ratings

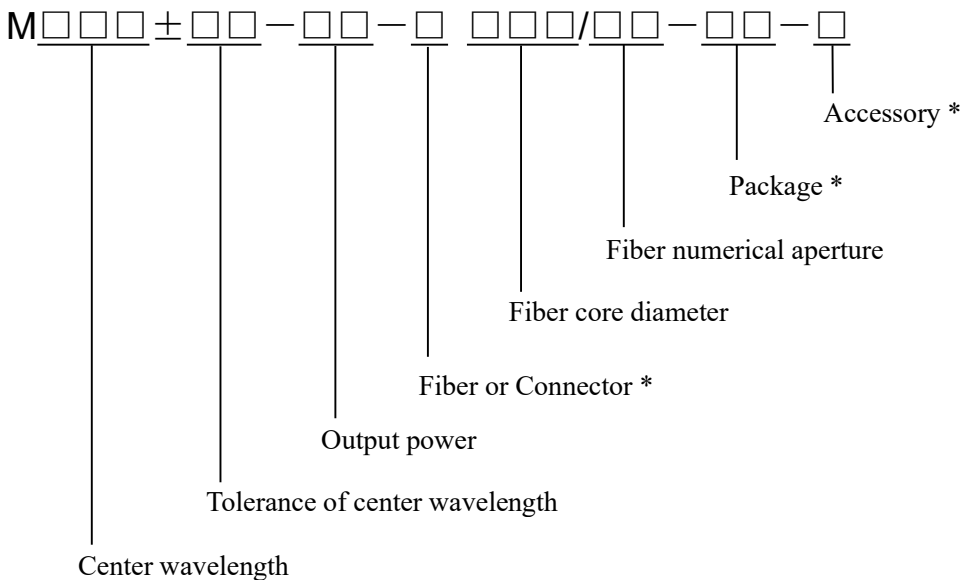
	Unit	Min	Max
Operating Temperature	°C	10	40
Operating Relative Humidity	%	-	75
Storage Temperature	°C	-20	80
Storage Relative Humidity	%	-	90
Lead Soldering Temperature, 10 s max	°C	-	250

**Package Dimensions (mm)**

Pin Assignment	
Pin	Function
1	LD (+)
2	LD (-)
3	Thermistor
4	Thermistor
5	PD (N)
6	PD (P)



**Type Definition**



\* Accessory: T – TE cooler, A – Aiming laser, P – Monitor photodiode, K – Fiber connector detector

\* Package: R2, T1, T2, T3, T4, T4S, T4T, T6, G4, C1, CD, D1.....

\* Fiber or Connector: F – Fiber output, D – Detachable connector

